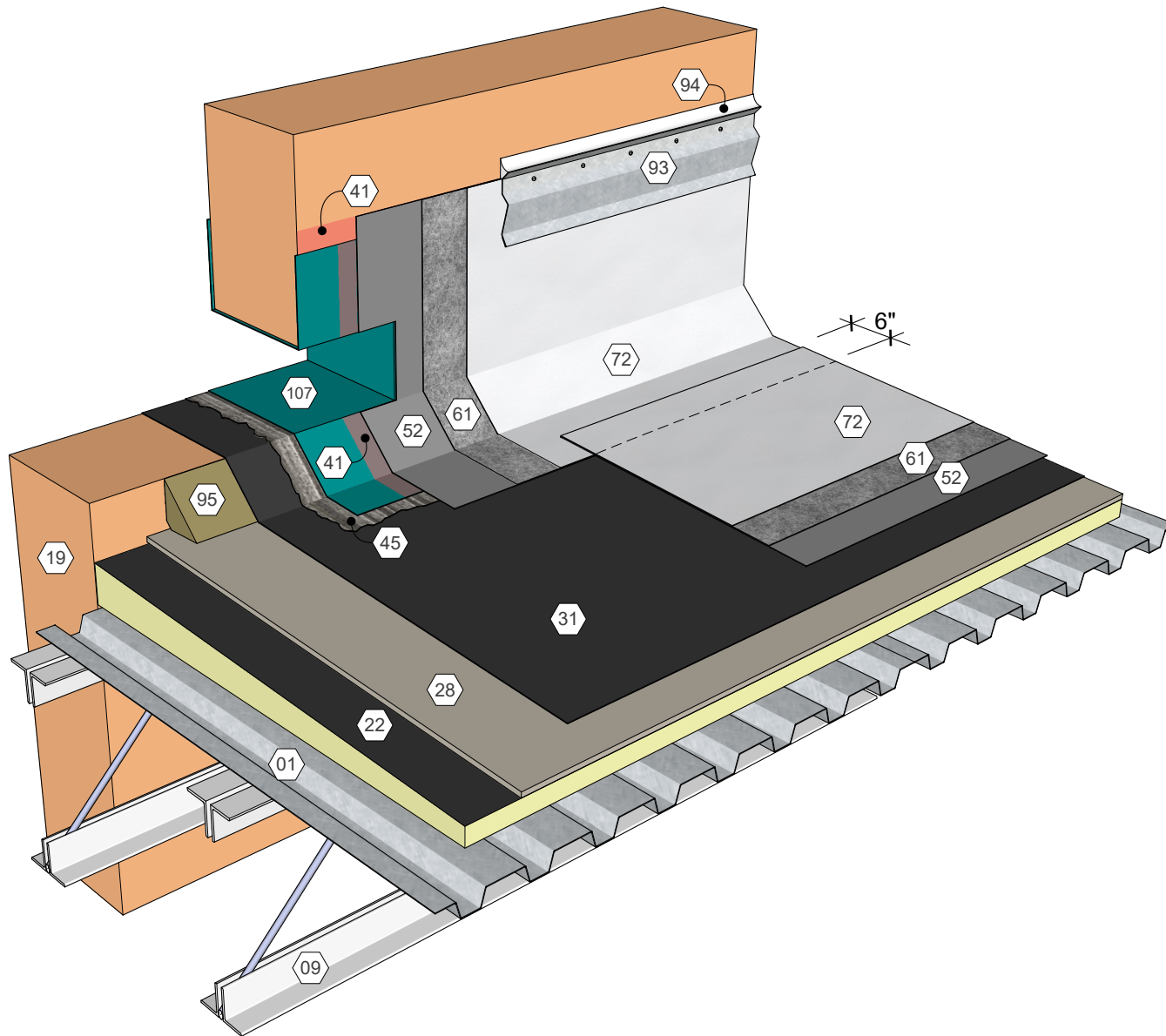


## KEY NOTES

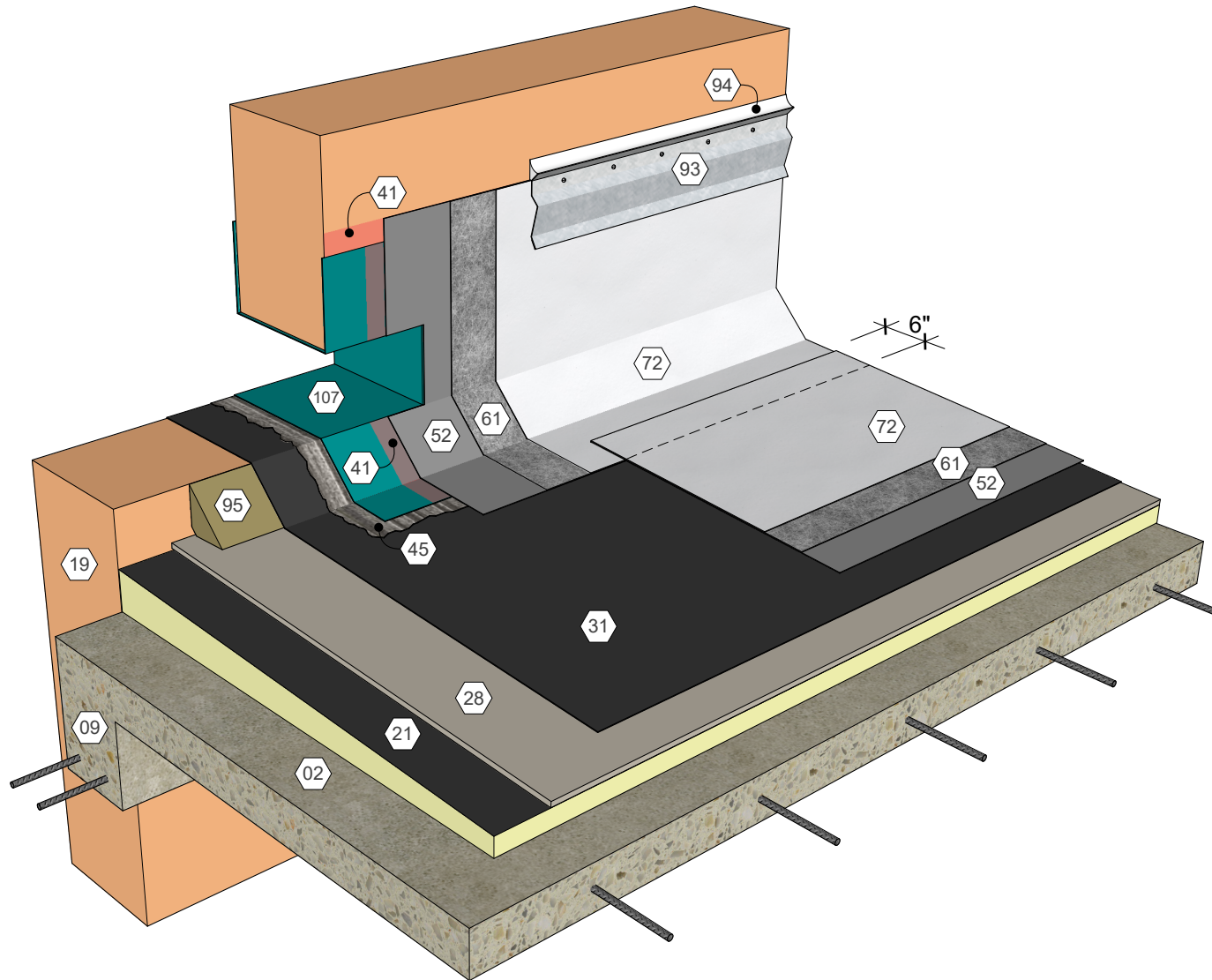
- 01 Metal Deck
- 09 Roof Structure
- 19 Wall Assembly
- 22 Polyisocyanurate Insulation (Fastened or Adhered)
- 28 Cover Board (Adhered)
- 31 Approved Base Ply Sheet
- 41 Approved Primer
- 45 Roofing Mastic
- 52 AlphaGuard BIO Base Coat
- 61 AlphaGuard Glass Mat or Permafab
- 72 AlphaGuard BIO Top Coat
- 93 Counterflashing, Optional
- 94 Tremseal D, Optional
- 95 Cant Strip
- 107 Sheet Metal Scupper



AlphaGuard® BIO Plus Overflow Scupper Detail, Metal Deck  
Detail 23241

## KEY NOTES

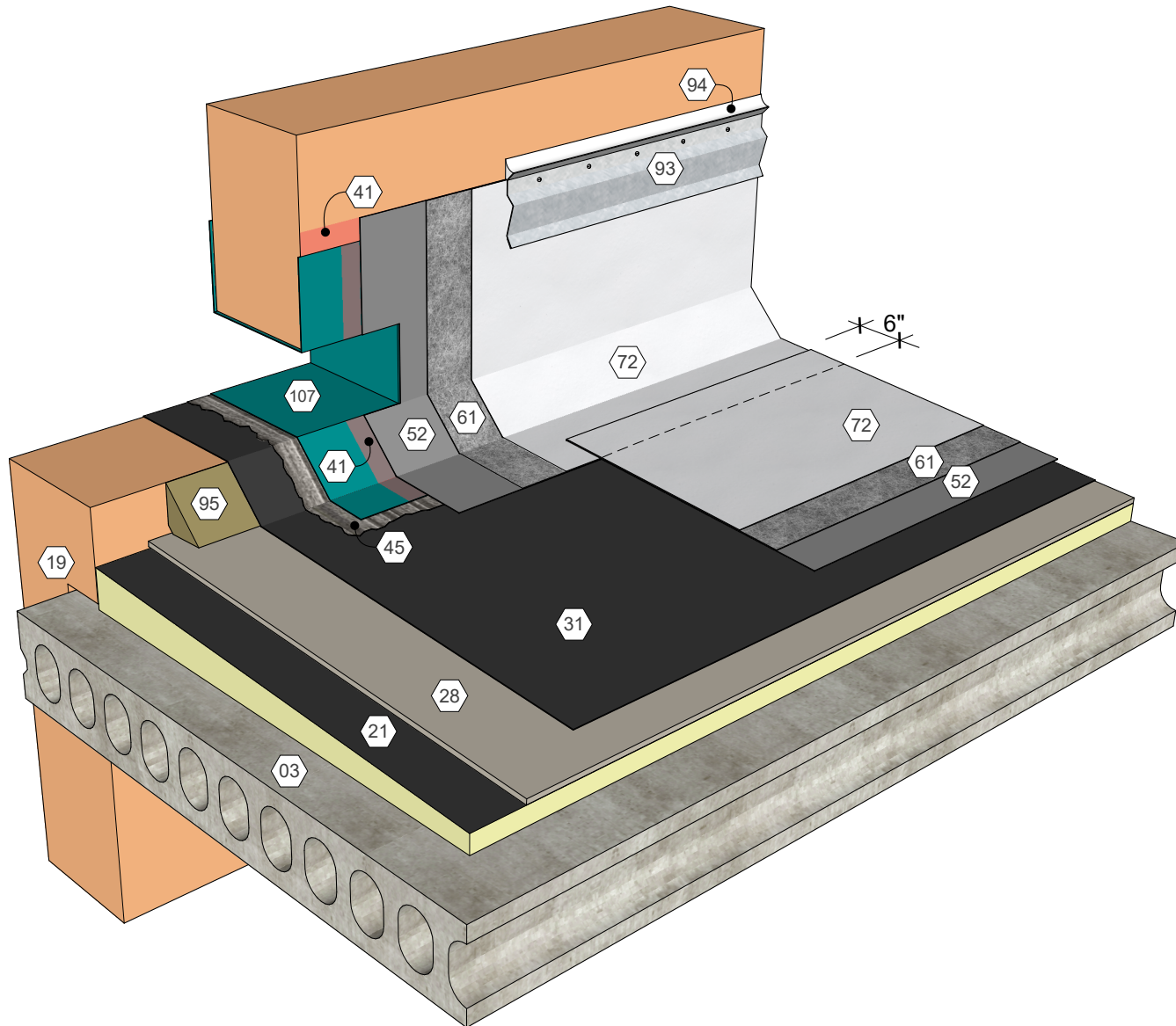
- 02 Structural Concrete Deck
- 09 Roof Structure
- 19 Wall Assembly
- 21 Polyisocyanurate Insulation (Adhered)
- 28 Cover Board (Adhered)
- 31 Approved Base Ply Sheet
- 41 Approved Primer
- 45 Roofing Mastic
- 52 AlphaGuard BIO Base Coat
- 61 AlphaGuard Glass Mat or Permafab
- 72 AlphaGuard BIO Top Coat
- 93 Counterflashing, Optional
- 94 Tremseal D, Optional
- 95 Cant Strip
- 107 Sheet Metal Scupper



AlphaGuard® BIO Plus Overflow Scupper Detail, Structural Concrete Deck  
Detail 23242

## KEY NOTES

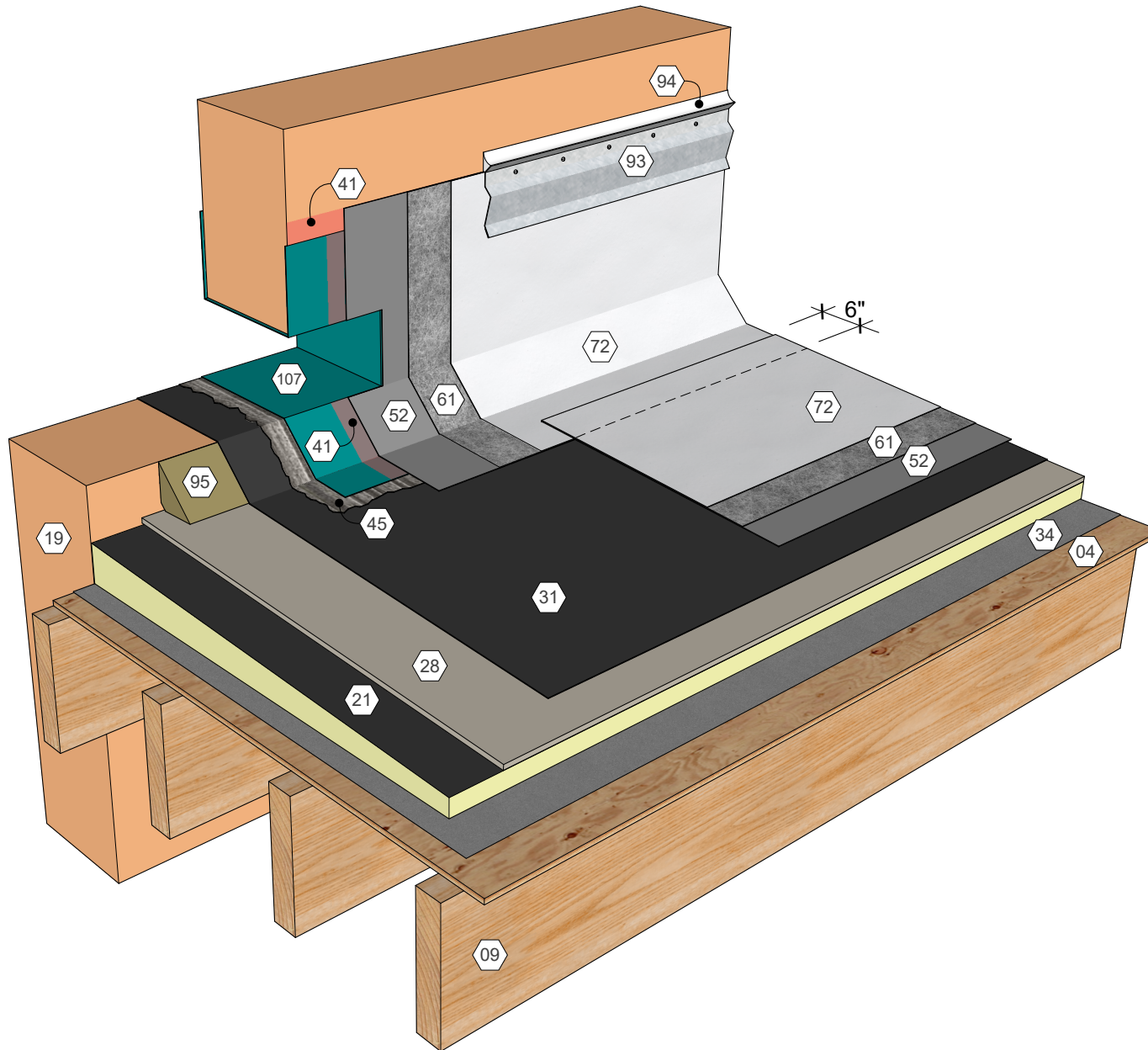
- 03 Precast Concrete Deck
- 19 Wall Assembly
- 21 Polyisocyanurate Insulation (Adhered)
- 28 Cover Board (Adhered)
- 31 Approved Base Ply Sheet
- 41 Approved Primer
- 45 Roofing Mastic
- 52 AlphaGuard BIO Base Coat
- 61 AlphaGuard Glass Mat or Permafab
- 72 AlphaGuard BIO Top Coat
- 93 Counterflashing, Optional
- 94 Tremseal D, Optional
- 95 Cant Strip
- 107 Sheet Metal Scupper



AlphaGuard® BIO Plus Overflow Scupper Detail, Precast Concrete Deck  
Detail 23243

## KEY NOTES

- 04 Wood Deck
- 09 Roof Structure
- 19 Wall Assembly
- 21 Polyisocyanurate Insulation (Adhered)
- 28 Cover Board (Adhered)
- 31 Approved Base Ply Sheet
- 34 Base Sheet (Fastened)
- 41 Approved Primer
- 45 Roofing Mastic
- 52 AlphaGuard BIO Base Coat
- 61 AlphaGuard Glass Mat or Permafab
- 72 AlphaGuard BIO Top Coat
- 93 Counterflashing, Optional
- 94 Tremseal D, Optional
- 95 Cant Strip
- 107 Sheet Metal Scupper

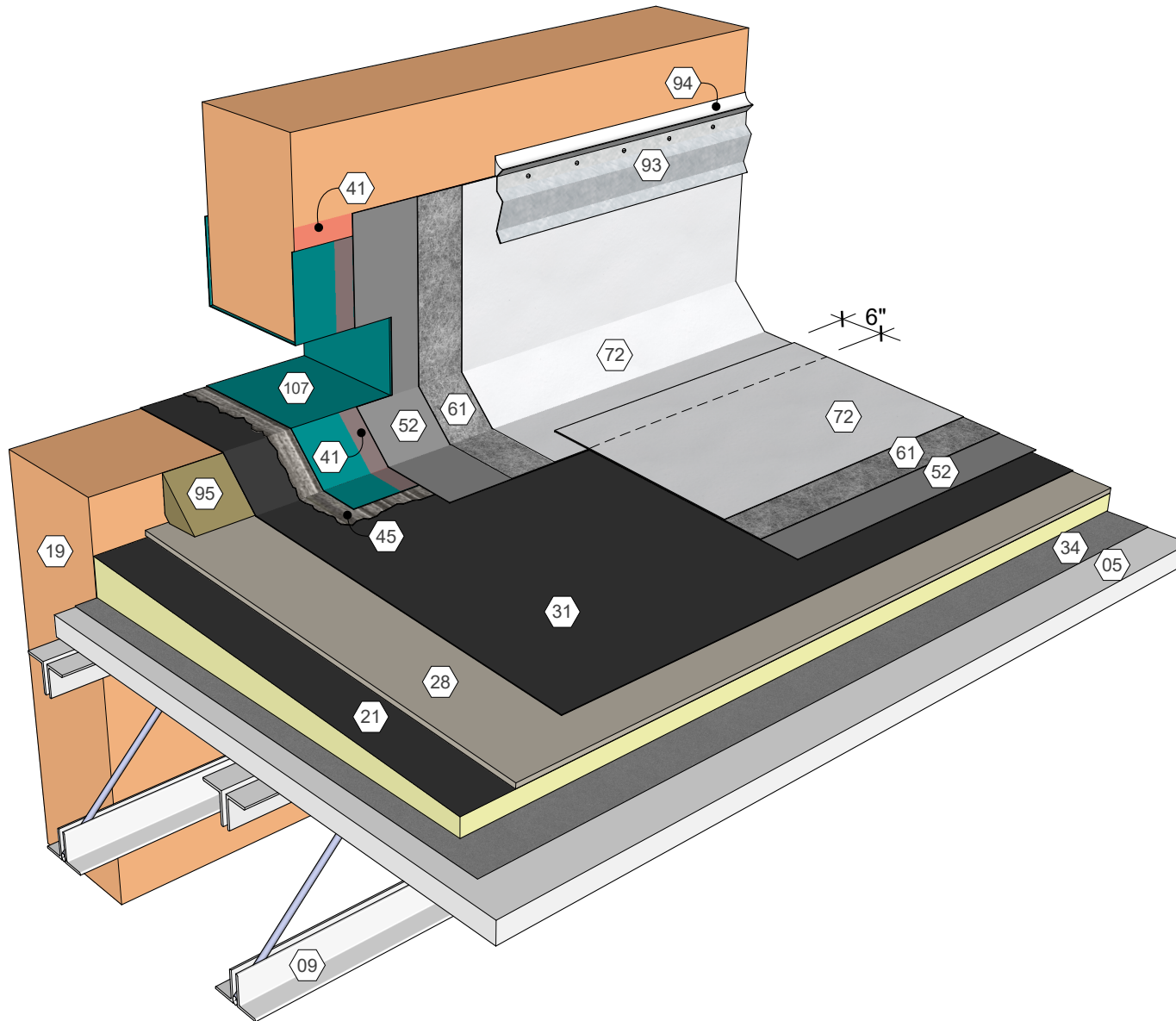


AlphaGuard® BIO Plus Overflow Scupper Detail, Wood Deck  
Detail 23244

**TREMCO**  
ROOFING & BUILDING MAINTENANCE

## KEY NOTES

- 05 Gypsum Deck
- 09 Roof Structure
- 19 Wall Assembly
- 21 Polyisocyanurate Insulation (Adhered)
- 28 Cover Board (Adhered)
- 31 Approved Base Ply Sheet
- 34 Base Sheet (Fastened)
- 41 Approved Primer
- 45 Roofing Mastic
- 52 AlphaGuard BIO Base Coat
- 61 AlphaGuard Glass Mat or Permafab
- 72 AlphaGuard BIO Top Coat
- 93 Counterflashing, Optional
- 94 Tremseal D, Optional
- 95 Cant Strip
- 107 Sheet Metal Scupper



AlphaGuard® BIO Plus Overflow Scupper Detail, Gypsum Deck  
Detail 23245

**TREMCO**  
ROOFING & BUILDING MAINTENANCE